

LM6000 Air Ride Dolly



1/22/2015

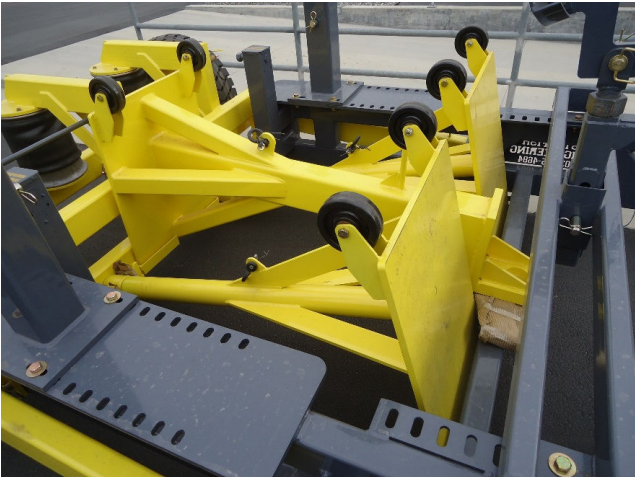
Starfish Engineering Associates - Privileged and Confidential -
Do not share without written authorization

LM6000 Dolly Views



<- Aft Right looking forward

Extra pedestal nest inside dolly for storage and transport ->

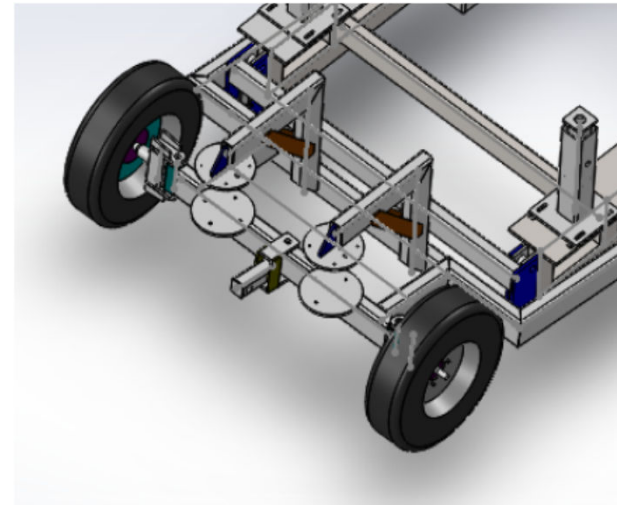
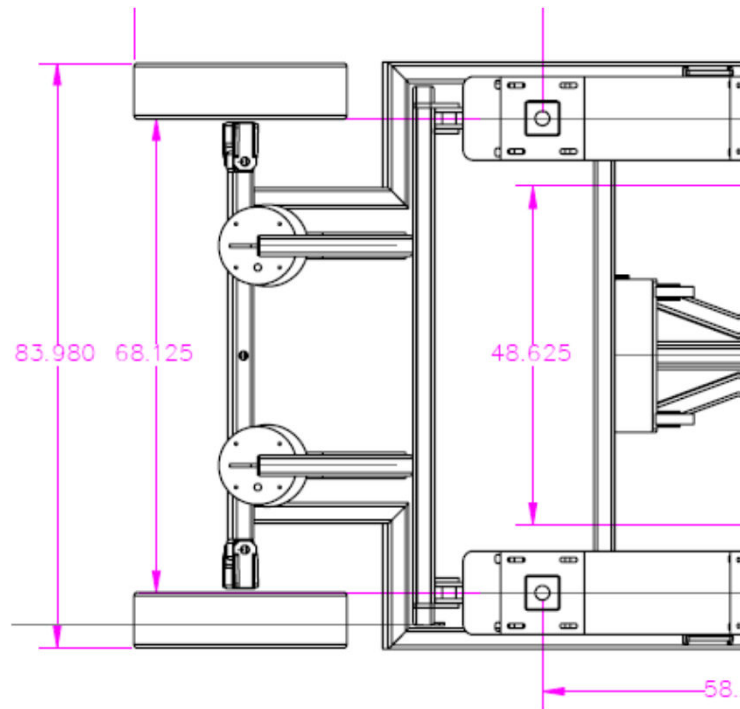


<- Aft left looking forward

Front left looking rear ->



LM6000 Steering Overview



- Designed to fit inside a standard shipping container
- Detachable front and rear air ride system allowing to be used as a maintenance stand.
- Can be modified to handle all LM2500 and LM6000 variations.
- Can be built to hold a set of pedestal stands for shipping and storage.
- Power Coat Paint to any custom color combination desired.

LM6000 Dollies

	Starfish Engineering	GE Universal
Able to Accommodate Multiple Engine Platforms		
Load Certified	 certified by Bishop Lifting	
Wheeled for Transporting Turbine	30" "run flat" all-terrain tires suitable for all surfaces	10" caster wheels only for smooth hard surfaces
Air Ride	5 airbags provide 6-8" air cushion	
Maintenance Working Height	18" built in jack stands to be adjustable	30"
Transport Height vs. Maintenance Height	TH 24" MH 18"	TH 30" MH 30"
Customization (special requests by customer)	toolboxes maintenance stands multiple hitch options color schemes	

Any special requests or questions contact Marc Webb at 903-245-4684.